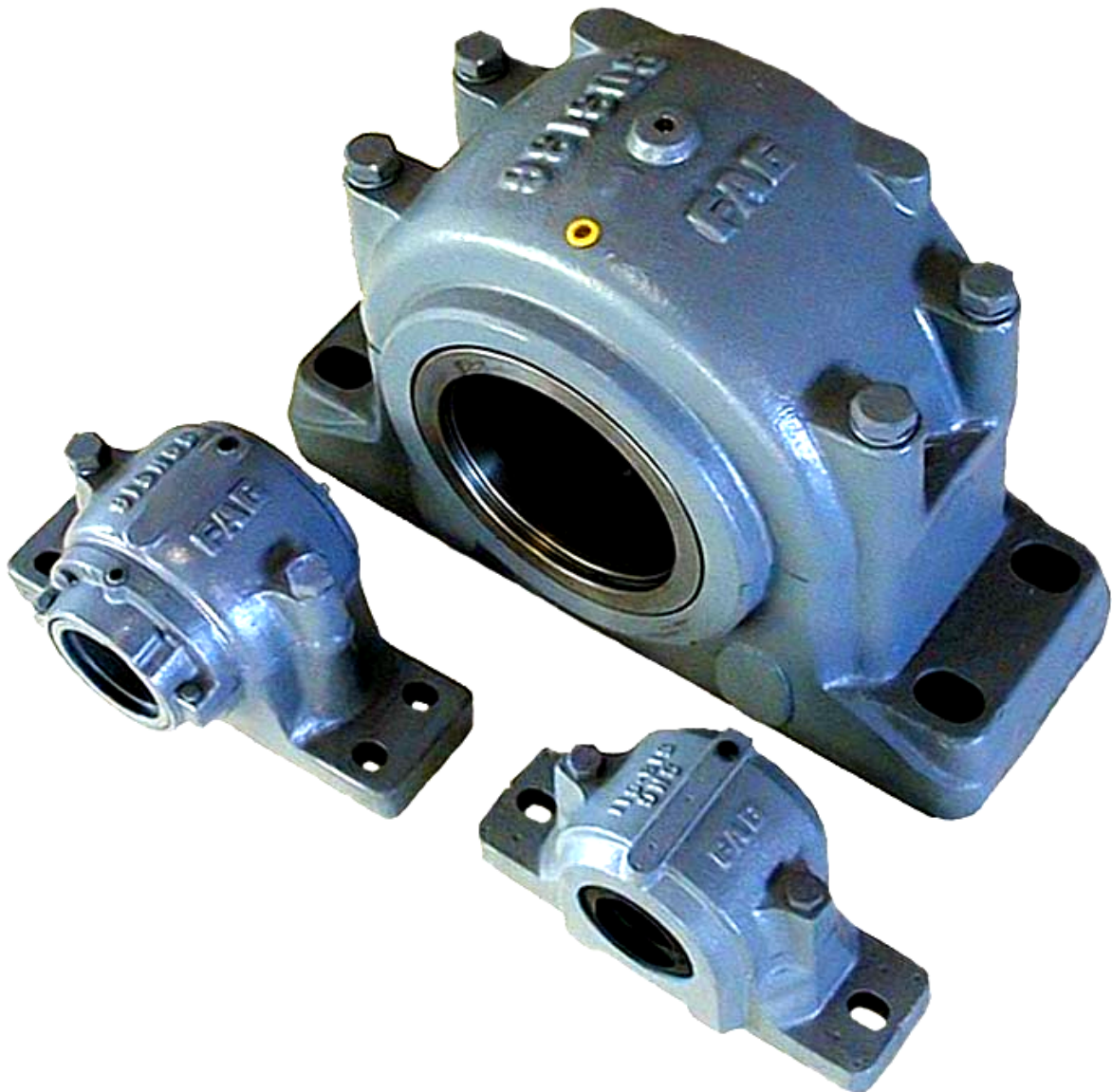

Bearing Housings

FAG

Rolling Bearings

FAG Australia Pty Ltd

Publication. WL 90-2000AUS



Contents

Product Index	2
Housing Designations	3
Sealing Arrangements	4
Standard Seal Selection Data	5
Section: SNG Housing Design	7
❖ Split Plummer block housing of SNG Design	8
❖ SNG 500 Series – Bearing housings	12
❖ SNG 600 series – Bearing housings	14
Section: SSN Housings Design	17
❖ Split Plummer block housing of SSN Design	18
❖ SSN 500 Series – Bearing housings	20
Section: SD Housings Design	23
❖ Split Plummer block housing of SD Design	24
❖ SD 3100 Series – Bearing housings	26
Section: Technical Information	29

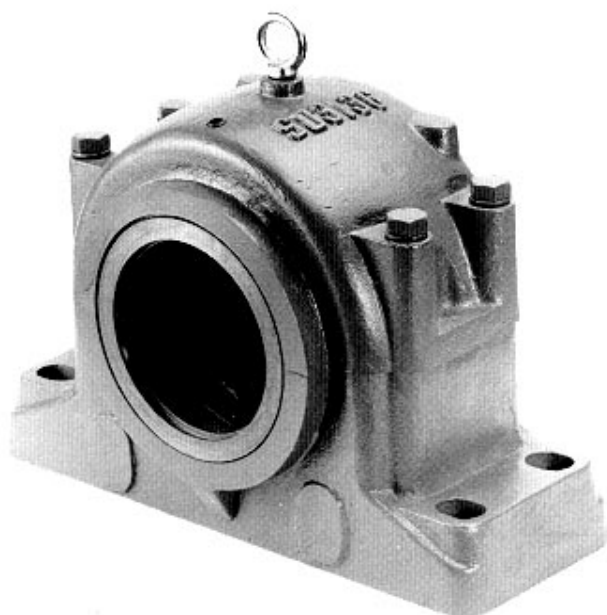
❖ Product Index



SNG 500 & 600 SERIES

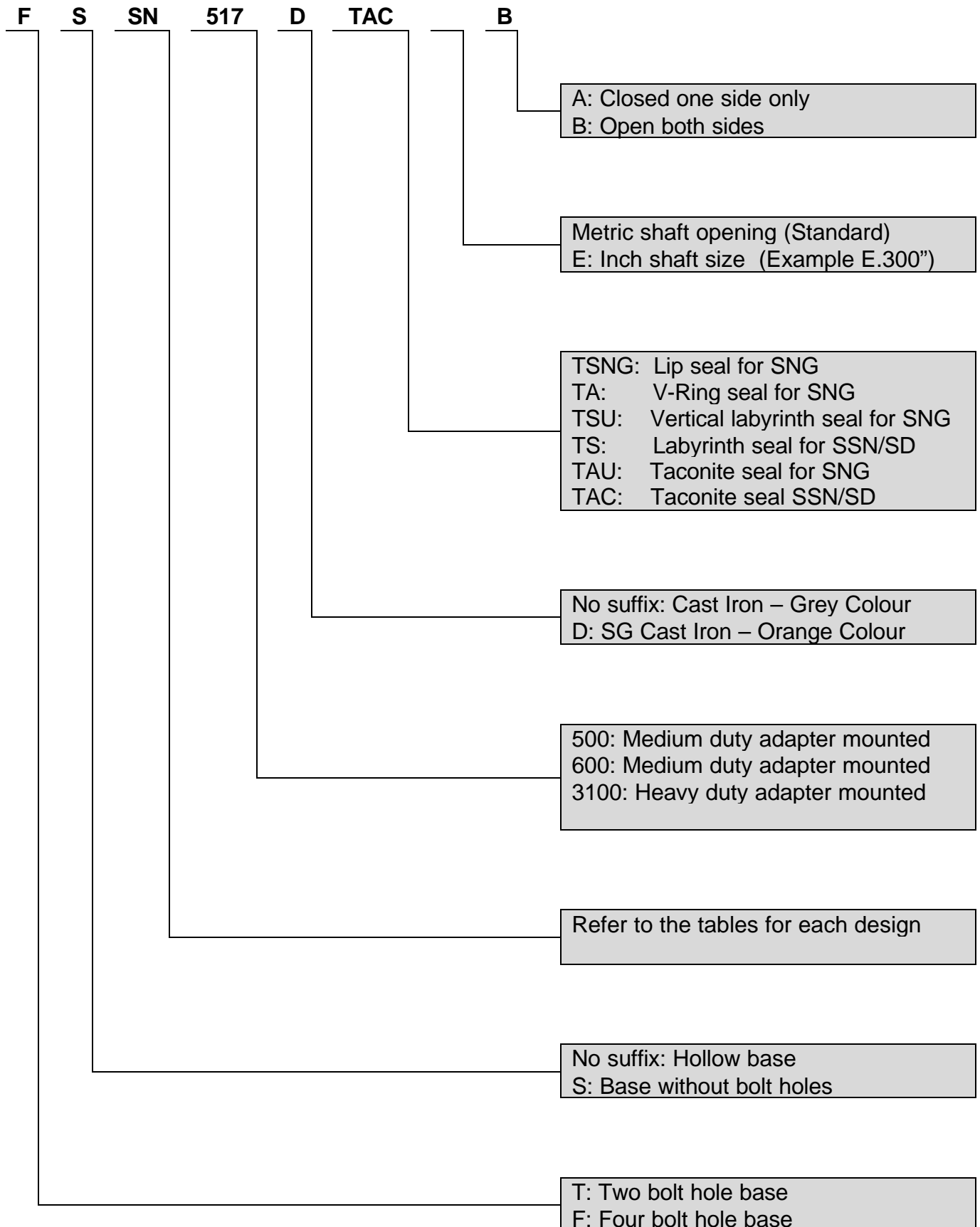


SSN 500 SERIES

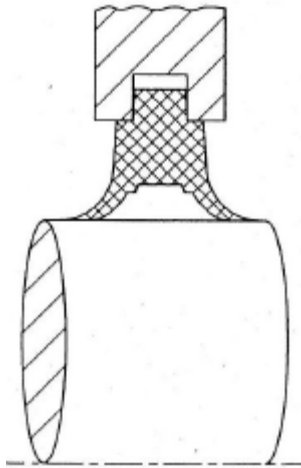


SD 3100 SERIES

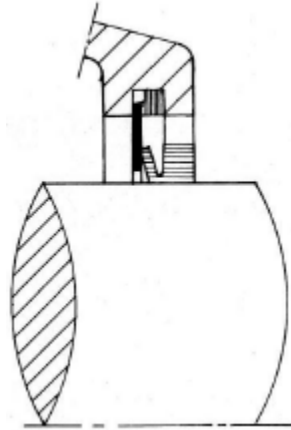
Housing Designations



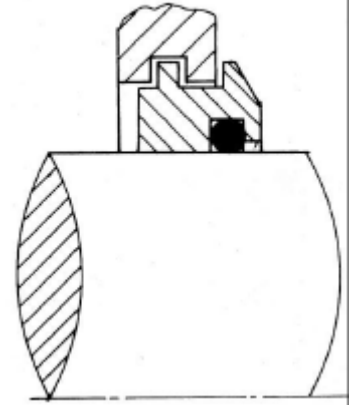
Sealing Arrangements



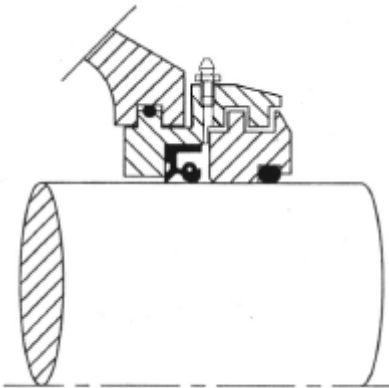
Double lip seal – TSNG
SNG housings



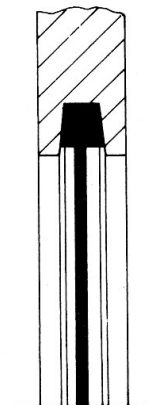
V-Ring Seal – TA
SNG housings



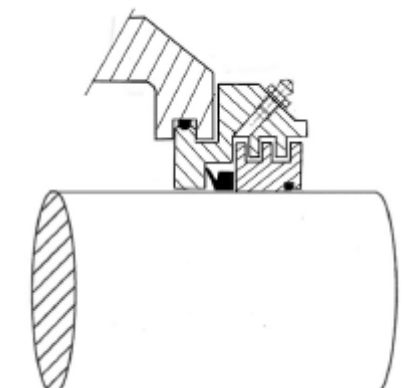
Labyrinth seal – TSU
SNG housings



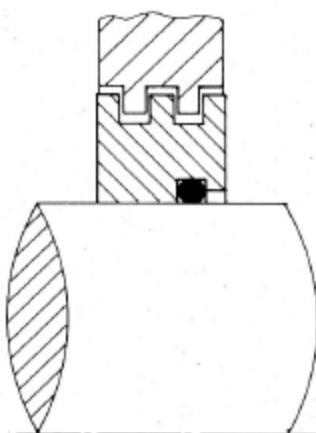
Taconite seal – TAU KIT
SNG housing



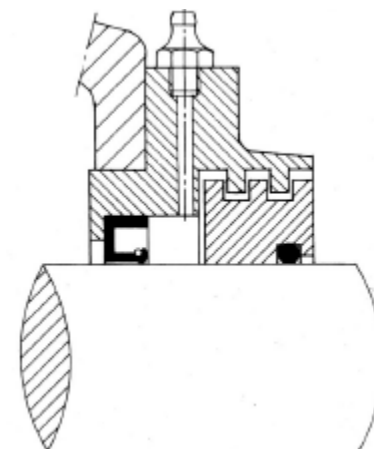
End cover – A500A
SNG housings



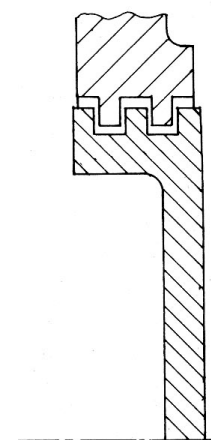
Optional Taconite seal TST KIT
SNG housing



Labyrinth seal – TS
SSN/SD housings


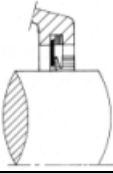
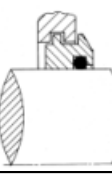
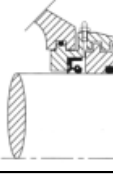
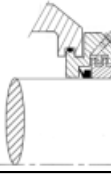
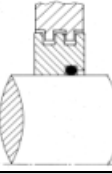
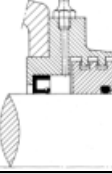


Taconite seal – TAC KIT
SSN/SD housings



End cover – EC & TSA
SSN/SD housings

Sealing Selection Data

Seal Selection	TSNG	TA	TSU	TAU KIT	Optional TST KIT.	TS	TAC KIT
							
Housing Series	SNG	SNG	SNG	SNG	SNG	SSN&SD	SSN&SD

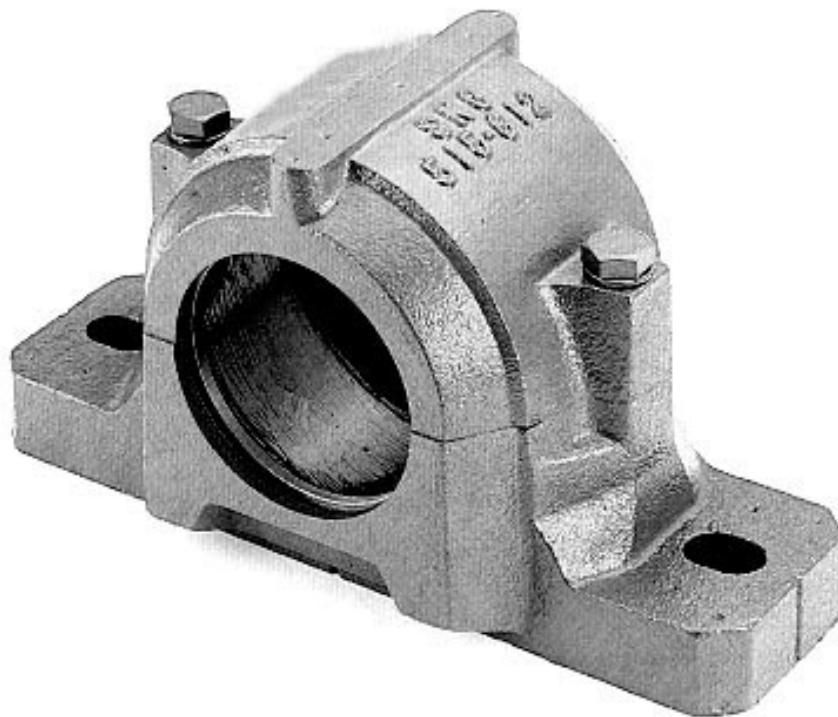
Seal Properties							
Temperature	-40 to +100	-40 to +100	-50 to +200	-40 to +100	-40 to +100	-50 to +200	-40 to +100
Speed m/s	Up to 8	Up to 7	++	Up to 12	Up to 12	++	Up to 12
Misalignment, Degrees	0.5 to 1	1 to 1.5	Up to 0.5	Up to 0.5	Up to 0.5	Up to 0.5	Up to 0.5
Grease re-lubrication facility	4 m/s ¹⁾	+	+	+	+	+	+
Suitable for oil lubrication	-	-	-	+	-	-	+
Low friction	+	+	++	+	+	++	+
Non-locating bearing	++	-	+	+	+	+	+
Vertical arrangement	+	++ ²⁾	#	-	-	#	-
Maintenance	++	-	-	-	-	-	-

Sealing Ability							
Dust	++	++	+	++	++	+	++
Fine particle contaminates	++	+	+	++	++	+	++
Course particle contaminates	+	-	+	++	++	+	++
Abrasive contaminates	+	#	+	++	++	+	++
Sprayed liquids	+	+	#	++	++	#	++
Direct sunlight	+	#	++	++	++	++	++

Symbols	++ Very Good	+ Suitable	- limited	# Unsuitable
Notes:	1) Grease escape hole will be required for higher speeds 2) When the lower V-ring is mounted inboard			

SNG Housing Design

Series 500 & 600



SNG Series Bearing Housing

Split plummer block housings of Series SNG

The SNG bearing housing were designed as a multi-functional housing which can be interchanged with other styles of SN housings. The SNG housing is suitable for heavy-duty applications in Mining and Construction, Paper Industry, Steel Industry and light Industry.

The main advantages of the SNG housing are:

- ❖ Interchangeability with other SN style housings
- ❖ Reinforced base for heavy loads
- ❖ A standard housing bore tolerance of H7
- ❖ Housing Cap bolts of Grade 8.8
- ❖ A selection of sealing arrangements
- ❖ Alignment recesses on the housing base
- ❖ Various inlet and outlet points for lubrication
- ❖ Recesses for easy removal of housing cap
- ❖ Dimples provided for locating pins in the housing base.
- ❖ Various monitoring and sensor points in the housing body
- ❖ The housing body painted in durable Blue-Grey enamel

The standard range of SNG housings are made from Grey cast iron (abbreviation CI) and can be supplied in Spheroidal graphite cast iron (abbreviation SG) when requested.

The standard range of SNG housings are supplied with H7 tolerance housing bore and Grade 8.8 cap bolts. The H7 tolerance is especially important because it provides the ultimate support for the bearing, whilst still allowing the outer ring of the bearing to be axially displaced when the bearing is required to act as a floating bearing. The Grade 8.8 bolts provide the maximum support of the housing cap when subjected to high load applications.

The SNG housing has the ability to accommodate the diverse range of Self-aligning ball bearings and Spherical roller bearings, when mounted on an adapter sleeve. The FAG Split Spherical roller bearing can also be easily mounted into this modular designed housing.

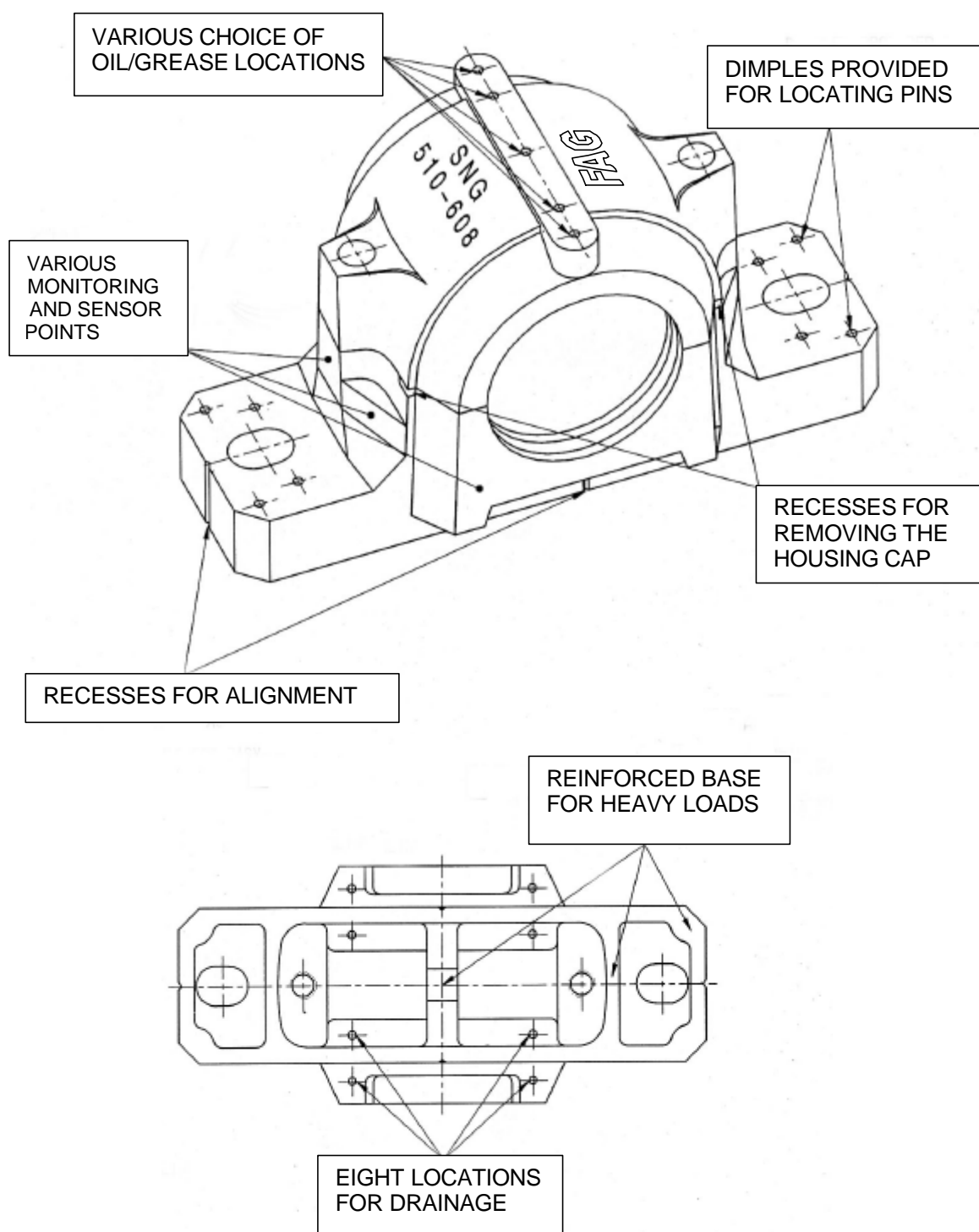
The SNG housing has a range of shaft sizes starting from as small as 20 to 140 mm or $\frac{3}{4}$ to $5\frac{1}{2}$ inches.

The SNG housing has a selection of seals and covers that fit into the annular groove on both sides of the housing. To select the appropriate sealing solution for your application: Refer to the "Sealing Selection Data Table" on page 5 and review the sealing properties and abilities for each design before selecting.

SNG Series Bearing Housing

New Design with Multi-functions

Interchangeable with SNH, SNU, SNA Housings



SNG Series Bearing Housings

Sealing Assembly Components

The sealing assemblies for the SNG housings consist of individual parts. The following examples will assist in identifying the individual components within each of the seal assembly.

Example: Housing SNG 513

❖ SNG Double Lip Seal - TSNG 513:

1 X Double Lip Seal

❖ SNG V-Ring Seal - TA 513A:

1x V-Ring
1 x Seal Plate

❖ SNG Labyrinth Seal - TSU 513:

1 x Labyrinth seal
1 x O-Ring Cord – OR13

❖ SNG Taconite Seal - TAU 513 KIT:

1 x Seal Carrier - TAU513
1 x Labyrinth Seal - TSU 513
1 x O-Ring – OR 13
1 x Oil Seal - OSM 13

❖ SNG Cover Plate – A513A

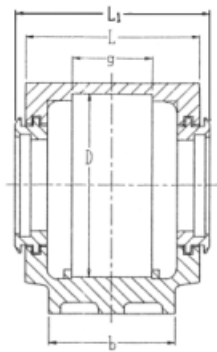
1 x Cover Plate

SNG 500 Series - Bearing Housing

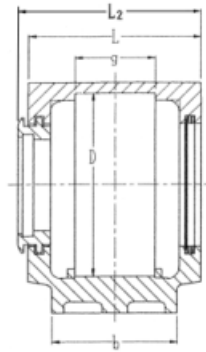
Overall Housing Seal Width Dimensions

Labyrinth Seal Arrangements

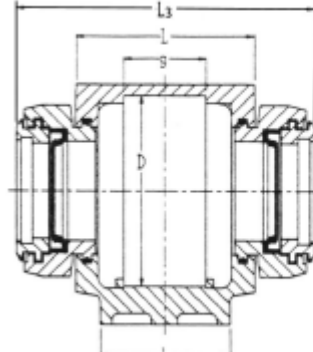
Taconite Seal Arrangements



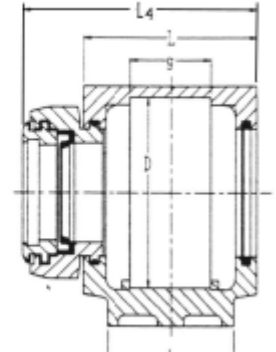
Open – Type B



Closed – Type A



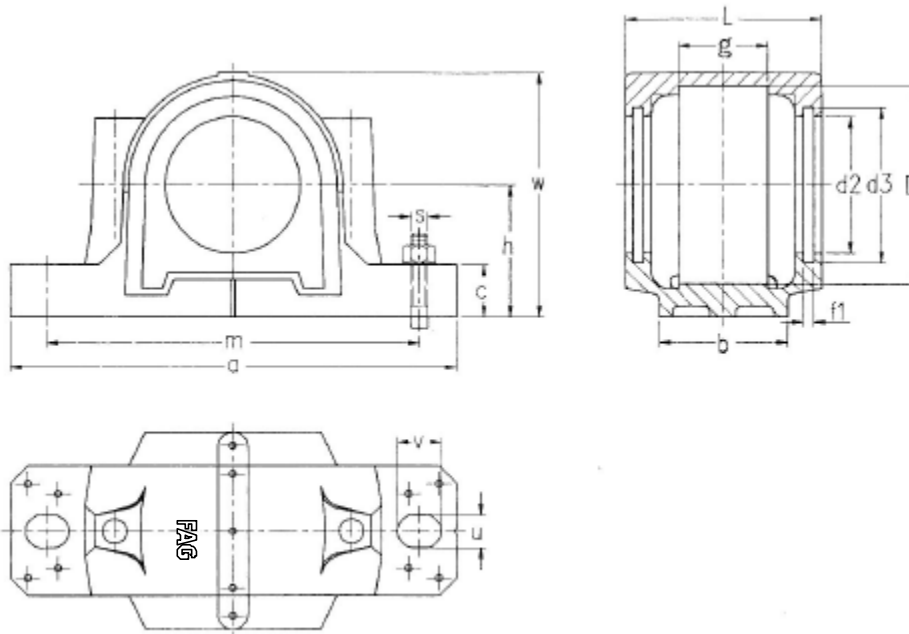
Open – Type B



Closed – Type A

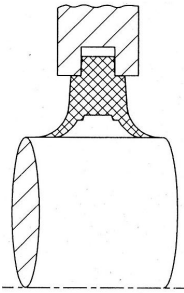
Housing Number	L	L1	L2	L3	L4
SNG 509	85	96.2	90.6	162.2	123.6
SNG 510-608	90	101.2	95.6	167.2	128.6
SNG 511-609	95	106.2	100.6	172.2	133.6
SNG 512-610	105	116.2	110.6	182.2	143.6
SNG 513-611	110	121.2	115.6	187.2	148.6
SNG 515-612	115	126.2	120.6	194.2	154.6
SNG 516-613	120	134	127	203	161.5
SNG 517	125	139	132	214	169.5
SNG 518-615	140	154	147	229	184.5
SNG 519-616	145	159	152	230	187.5
SNG 520-617	160	174	167	245	202.5
SNG 522-619	175	189	182	260	217.5
SNG 524-620	185	199	192	270	227.5
SNG 526	190	205	197.5	279	234.5
SNG 528	205	220	212.5	294	249.5
SNG 530	220	235	227.5	314	267
SNG 532	235	250	242.5	329	282

SNG 500 Series - Bearing Housing

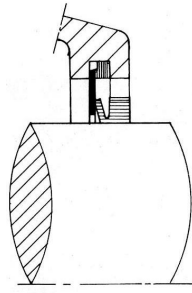


HOUSING NUMBER	SHAFT DIA		D	a	b	c	g H12	h js11	L	w	m	S Bolt	U	V	d2 H12	d3 H12	f1	
	mm	Inches																
SNG 507-606	30	1 1/8	3 3/16	72	185	52	22	34	50	82	92	150	M12	15	20	46.5	54.5	5
SNG 508-607	35	1 5/16	1 3/8	80	205	60	25	39	60	85	106	170	M12	15	20	51.5	59.5	5
SNG 509	40	1 1/2	1 9/16	85	205	60	25	30	60	85	109	170	M12	15	20	56.5	64.5	5
SNG 510-608	45	1 11/16	1 3/4	90	205	60	25	41	60	90	112	170	M12	15	20	62	70.5	5
SNG 511-609	50	1 15/16	2	100	255	70	28	44	70	95	127	210	M16	18	23	67	75.5	5
SNG 512-610	55	2 1/8	2 3/16	110	255	70	30	48	70	105	133	210	M16	18	23	72	80.5	5
SNG 513-611	60	2 1/4	2 5/16	120	275	80	30	51	80	110	148	230	M16	18	24	77	85.5	5
SNG 515-612	65	2 7/16	2 1/2	130	280	80	30	56	80	115	154	230	M16	18	26	87	95.5	5
SNG 516-613	70	2 11/16	2 3/4	140	315	90	32	58	95	120	175	260	M20	22	29	92.5	101	5
SNG 517	75	2 15/16	3	150	320	90	32	61	95	125	181	260	M20	22	30	97.5	106	5
SNG 518-615	80	3 3/16	3 1/4	160	345	100	35	65	100	140	192	290	M20	22	27	102.5	111	5
SNG 519-616	85	3 5/16	3 3/8	170	345	100	35	68	112	145	209	290	M20	22	27	131	141	6
SNG 520-617	90	3 7/16	3 1/2	180	380	110	40	70	112	160	215	320	M24	26	32	137.5	147.5	6
SNG 522-619	100	3 15/16	4	200	410	120	45	80	125	175	239	350	M24	26	32	147.5	157.5	6
SNG 524-620	110	4 3/16	4 1/4	215	410	120	45	86	140	185	271	350	M24	26	32	157.5	167.5	6
SNG 526	115	4 7/16	4 1/2	230	445	130	50	90	150	190	290	380	M24	28	35	167.5	177.5	6
SNG 528	125	4 15/16	5	250	500	150	50	98	150	205	302	420	M30	35	42	177.6	187.5	6
SNG 530	135	5 3/16	5 1/4	270	530	160	60	106	160	220	323	450	M30	35	42	192.5	202.5	6
SNG 532	140	5 7/16	5 1/2	290	550	160	60	114	170	235	344	470	M30	35	42	202.5	212.5	6

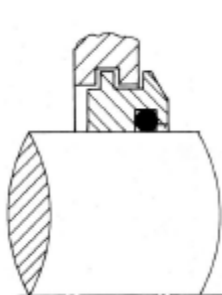
SNG 500 Series - Bearing Housing



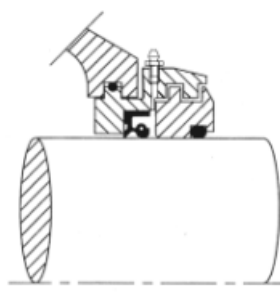
Double lip seal – TSNG 500



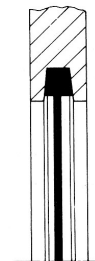
V-ring seal – TA 500



Labyrinth seal – TSU 500



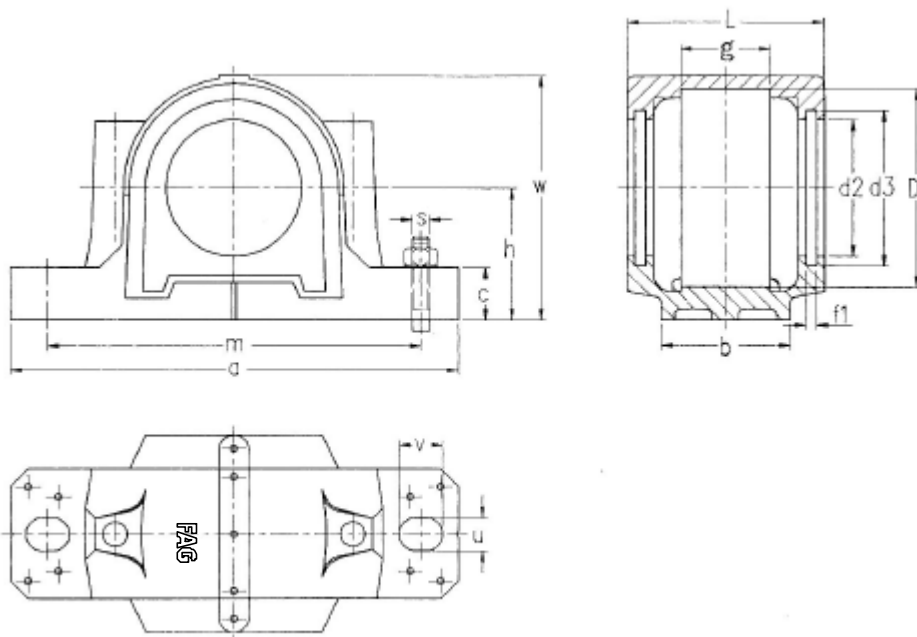
Taconite seal – TAU 500 KIT



End cover - A500A

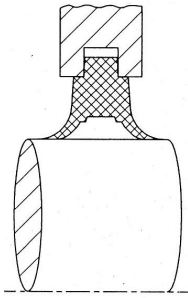
BEARING NUMBER		ADAPTOR SLEEVE METRIC	LOCATING RING		Wt Kg	TSNG	TA	TSU Metric	TAU KIT Metric	HOUSING NUMBER
			NUMBER	QTY						
1207K	22207EK	H207	FRM 72x8.5	2	2.2	TSNG 507	TA 507A			SNG 507-606
2207K		H307	FRM 72x5.5	2						
1208K	22208EK	H208	FRM 80x10.5	2	2.8	TSNG 508	TA 508A			SNG 508-607
2208K		H308	FRM 80x8	2						
1209K	22209EK	H209	FRM 85x5.5	2	3.0	TSNG 509	TA 509A	TSU 509	TAU509	SNG 509
2209K		H309	FRM 85x7	1						
1210K	22210EK	H210	FRM 90x10.5	2	3.1	TSNG 510	TA 510A	TSU 510	TAU510	SNG 510-608
2210K		H310	FRM 90x9	2						
1211K	22211EK	H211	FRM 100x11.5	2	4.5	TSNG 511	TA 511A	TSU 511	TAU511	SNG 511-609
2211K		H311	FRM 100x9.5	2						
1212K	22212EK	H212	FRM 110x13	2	5.0	TSNG 512	TA 512A	TSU 512	TAU512	SNG 512-610
2212K		H312	FRM 110x10	2						
1213K	22213EK	H213	FRM 120x14	2	6.1	TSNG 513	TA 513A	TSU 513	TAU513	SNG 513-611
2213K		H313	FRM 120x10	2						
1215K	22215EK	H215	FRM 130x15.5	2	6.5	TSNG 515	TA 515A	TSU 515	TAU515	SNG 515-612
2215K		H315	FRM 130x12.5	2						
1216K	22216EK	H216	FRM 140x16	2	9.0	TSNG 516	TA 516A	TSU 516	TAU516	SNG 516-613
2216K		H316	FRM 140x12.5	2						
1217K	22217EK	H217	FRM 150x16.5	2	10.2	TSNG 517	TA 517A	TSU 517	TAU517	SNG 517
2217K		H317	FRM 150x12.5	2						
1218K	22218EK 23218ESK	H218	FRM 160x17.5	2	12.4	TSNG 518	TA 518A	TSU 518	TAU518	SNG 518-615
2218K		H318	FRM 160x12.5	2						
		H2318	FRM 160x12.5	1						
1219K	22219EK	H219	FRM 170x18	2	13.5	TSNG 519	TA 519A	TSU 519	TAU519	SNG 519-616
2219K		H319	FRM 170x12.5	2						
2220K	22220EK 23220ESK	H320	FRM 180x12	2	17.5	TSNG 520	TA 520A	TSU 520	TAU520	SNG 520-617
		H2320	FRM180x9.7	1						
2222K	22222EK 23222ESK	H322	FRM 200x13.5	2	20.5	TSNG 522	TA 522A	TSU 522	TAU522	SNG 522-619
		H2322	FRM 200x10	1						
	22224EK 23224ESK	H3124	FRM 215x14	2	25.5	TSNG 524	TA 524A	TSU 524	TAU524	SNG 524-620
		H2324	FRM 215x10	1						
	22226EK 23226ESK	H3126	FRM 230x13	2	33.0	TSNG 526	TA 526A	TSU 526	TAU526	SNG 526
		H2326	FRM 230x10	1						
	22228EK 23228ESK	H3128	FRM 250x15	2	42.0	TSNG 528	TA 528A	TSU 528	TAU528	SNG 528
		H2328	FRM 250x10	1						
	22230EK 23230ESK	H3130	FRM 270x16.5	2	53.0	TSNG 530	TA 530A	TSU 530	TAU530	SNG 530
		H2330	FRM 270x10	1						
	22232EK 23232ESK	H3132	FRM 290x17	2	55.0	TSNG 532	TA 532A	TSU 532	TAU532	SNG 532
		H2332	FRM 290x10	1						

SNG 600 Series - Bearing Housing

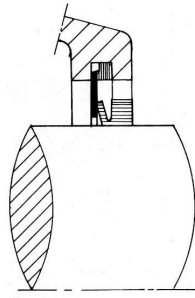


HOUSING NUMBER	SHAFT DIA		D	a	b	c	g H12	h js11	L	w	m	S Bolt	U	V	d2 H12	d3 H12	f1	
	mm	Inches																
SNG 508-607	30	1 ¹ / ₈	1 ³ / ₁₆	80	205	60	25	39	60	85	106	170	M12	15	20	51.5	59.5	5
SNG 510-608	35	1 ⁵ / ₁₆	1 ³ / ₈	90	205	60	25	41	60	90	112	170	M12	15	20	62	70.5	5
SNG 511-609	40	1 ¹ / ₂	1 ⁹ / ₁₆	100	255	70	28	44	70	95	127	210	M16	18	23	67	75.5	5
SNG 512-610	45	1 ¹¹ / ₁₆	1 ³ / ₄	110	255	70	30	48	70	105	133	210	M16	18	23	72	80.5	5
SNG 513-611	50	1 ¹⁵ / ₁₆	2	120	275	80	30	51	80	110	148	230	M16	18	24	77	85.5	5
SNG 515-612	55	2 ¹ / ₈	2 ³ / ₁₆	130	280	80	30	56	80	115	154	230	M16	18	26	87	95.5	5
SNG 516-613	60	2 ¹ / ₄	2 ⁵ / ₁₆	140	315	90	32	58	95	120	175	260	M20	22	29	92.5	101	5
SNG 518-615	65	2 ⁷ / ₁₆	2 ¹ / ₂	160	345	100	35	65	100	140	192	290	M20	22	27	102.5	111	5
SNG 519-616	70	2 ¹¹ / ₁₆	2 ³ / ₄	170	345	100	35	68	112	145	209	290	M20	22	27	131	141	6
SNG 520-617	75	2 ¹⁵ / ₁₆	3	180	380	110	40	70	112	160	215	320	M24	26	32	137.5	147.5	6
SNG 522-619	85	3 ⁵ / ₁₆	3 ³ / ₈	200	410	120	45	80	125	175	239	350	M24	26	32	147.5	157.5	6
SNG 524-620	90	3 ⁷ / ₁₆	3 ¹ / ₂	215	410	120	45	86	140	185	271	350	M24	26	32	157.5	167.5	6

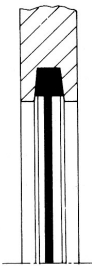
SNG 600 Series - Bearing Housing



Double lip seal – TSNG 600



V-ring seal – TA 600



End cover – A500A

BEARING NUMBER		ADAPTOR SLEEVE METRIC	LOCATING RING		Wt Kg	TSNG	TA			HOUSING NUMBER
			NUMBER	QTY						
1307K		H307	FRM 80x9	2	2.8	TSNG 607	TA 607A			SNG 508-607
2307K		H2307	FRM 80x8	1						
1308K	21308EK	H308	FRM 90x9	2	3.1	TSNG 608	TA 608A			SNG 510-608
2308K	22308EK	H2308	FRM 90x8	1						
1309K	21309EK	H309	FRM 100x9.5	2	4.5	TSNG 609	TA 609A			SNG 511-609
2309K	22309EK	H2309	FRM 100x8	1						
1310K	21310EK	H310	FRM 110x10.5	2	5.0	TSNG 610	TA 610A			SNG 512-610
2310K	22310EK	H2310	FRM 110x8	1						
1311K	21311EK	H311	FRM 120x11	2	6.1	TSNG 611	TA 611A			SNG 513-611
2311K	22311EK	H2311	FRM 120x8	1						
1312K	21312EK	H312	FRM 130x12.5	2	6.5	TSNG 612	TA 612A			SNG 515-612
2312K	22312EK	H2312	FRM 130x10	1						
1313K	21313EK	H313	FRM 140x12.5	2	9.0	TSNG 613	TA 613A			SNG 516-613
2313K	22313EK	H2313	FRM 140x10	1						
1315K	21315EK	H315	FRM 160x14	2	12.4	TSNG 615	TA 615A			SNG 518-615
2315K	22315EK	H2315	FRM 160x10	1						
1316K	21316EK	H316	FRM 170x14.5	2	13.5	TSNG 616	TA 616A			SNG 519-616
2316K	22316EK	H2316	FRM 170x10	1						
1317K	21317EK	H317	FRM 180x14.5	2	17.5	TSNG 617	TA 617A			SNG 520-617
2317K	22317EK	H2317	FRM180x10	1						
1319K		H319	FRM 200x17.5	2	20.5	TSNG 619	TA 619A			SNG 522-619
2319K	22319EK	H2319	FRM 200x13	1						
2320K	22320ESK	H2320	FRM 215x13	1	25.5	TSNG 620	TA 620A			SNG 524-620

SSN Housing Design Series 500



SSN 500 Series Bearing Housing

Split plummer block housings of Series SSN

The SSN bearing housing were designed as a housing which can be used for heavy-duty applications in Mining and Construction, Paper Industry, Steel Industry and light Industry.

The main advantages of the SSN housing are:

- ❖ Interchangeability with other SN style housings
- ❖ Solid base for heavy loads
- ❖ A standard housing bore tolerance of H7
- ❖ Housing Cap bolts of Grade 8.8
- ❖ A selection of sealing arrangements
- ❖ Various inlet points for lubrication
- ❖ The housing body painted in durable Blue-Grey enamel for Grey cast iron and Orange enamel for Spheroidal graphite cast iron

The standard range of SSN housings are made from Grey cast iron (abbreviation CI) and can be supplied in Spheroidal graphite cast iron (abbreviation SG) when requested.

The standard range of SSN housings are supplied with H7 tolerance housing bore and Grade 8.8 cap bolts. The H7 tolerance is especially important because it provides the ultimate support for the bearing, whilst still allowing the outer ring of the bearing to be axially displaced when the bearing is required to act as a floating bearing. The Grade 8.8 bolts provide the maximum support of the housing cap when subjected to high load applications.

The SSN housing has the ability to accommodate the diverse range of Self-aligning ball bearings and Spherical roller bearings, when mounted on an adapter sleeve. The FAG Split Spherical roller bearing can also be easily mounted into this housing.

The SSN housing has a range of shaft sizes starting from 40 to 140 mm or 1½ to 5½ inches.

The SSN housing can be supplied with either a Labyrinth seal or Taconite seal. To select the appropriate sealing solution for your application: Refer to the “Sealing Selection Data Table” on page 5 and review the sealing properties and abilities for each design before selecting.

SSN 500 Series Bearing Housing

Sealing Assembly Components

The sealing assemblies for the SSN housings consist of individual parts. The following examples will assist in identifying the individual components within each of the seal assembly.

Example: Housing SSN 520TS.A (Closed One Side)

❖ **SSN Labyrinth Seal – TS 20:**

- 1 x Labyrinth seal
- 1 x O-Ring Cord – OR20

❖ **SSN Cover Plate – EC 20**

- 1 x Cast Cover

Example: Housing SSN 520TAC.A (Closed One Side)

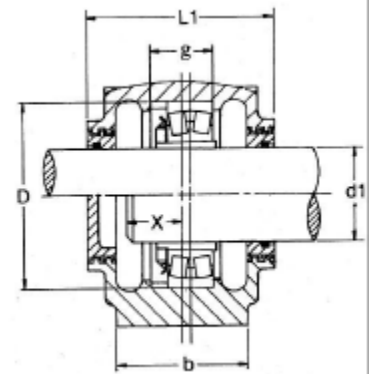
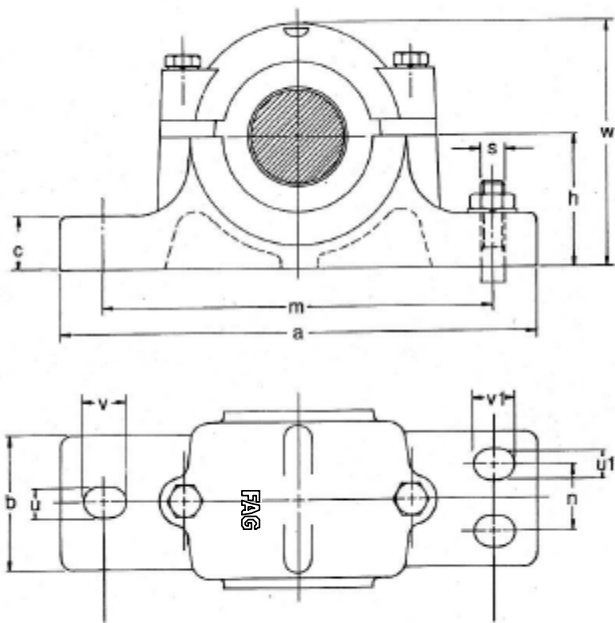
❖ **SSN Taconite Seal – TAC 20 KIT:**

- 1 x Seal Carrier – TAC 20
- 1 x Labyrinth Seal – TS 20
- 1 x O-Ring – OR 20
- 1 x Oil Seal - OSM 20

❖ **SSN Cover Plate – EP 20**

- 1 x Cover Plate

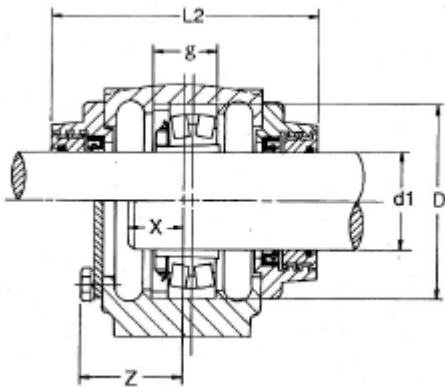
SSN 500 Series - Bearing Housing



Labyrinth seal – TS

HOUSING NUMBER	SHAFT DIA. d1		D	a	b	c	g H12	h h12	w	m	n	z	u	v
	Metric	Inches												
SSN 509	40	1½	85	205	60	25	31	60	112	170	30	50	15	20
SSN 510	45	1¾	90	205	60	25	33	60	115	170	30	53	15	20
SSN 511	50	2	100	255	70	28	33	70	130	210	35	54	18	23
SSN 512	55	2⅛	110	255	70	30	38	70	135	210	35	62	18	23
SSN 513	60	2¼	120	275	80	30	43	80	150	230	40	62	18	23
SSN 515	65	2½	130	280	80	30	41	80	155	230	40	68	18	23
SSN 516	70	2¾	140	315	90	32	43	95	175	260	50	68	22	27
SSN 517	75	3	150	320	90	32	46	95	185	260	50	70	22	27
SSN 518	80	3¼	160	345	100	35	62.4	100	195	290	50	81	22	27
SSN 520	90	3½	180	380	110	40	70.3	112	218	320	60	90	26	32
SSN 522	100	4	200	410	120	45	80	125	240	350	70	92	26	32
SSN 524	110	4¼	215	410	120	45	86	140	270	350	70	95	26	32
SSN 526	115	4½	230	445	130	50	90	150	290	380	70	100	28	36
SSN 528	125	5	250	500	150	50	98	150	305	420	80	108	33	42
SSN 530	135	5¼	270	530	160	60	106	160	325	450	90	113	33	42
SSN 532	140	5½	290	550	160	60	114	170	345	470	90	122	33	42

SSN 500 Series Bearing Housing



Taconite seal - TAC



u1	v1	L1 +/- 0.5	L2	X Ref.	S		BEARING NUMBER		ADAPTER SLEEVE		LOCATING RING		HOUSING NUMBER
					2 BOLT	4 BOLT			METRIC	IMPERIAL	NUMBER	QTY	
12	20	90	144	28	M12	M10	1209K	22209EK	H209	H209.108	FRM 85x6	2	SSN 509
							2209K		H309	H309.108	FRM 85x8	1	
12	20	95	150	28	M12	M10	1210K	22210EK	H210	H210.112	FRM 90x6.5	2	SSN 510
							2210K		H310	H310.112	FRM 90x10	1	
15	20	100	160	30	M16	M12	1211K	22211EK	H211	H211.200	FRM 100x6	2	SSN 511
							2211K		H311	H311.200	FRM 100x8	1	
15	20	110	172	32	M16	M12	1212K	22212EK	H212	H212.202	FRM 110x8	2	SSN 512
							2212K		H312	H312.202	FRM 110x10	1	
15	20	115	172	36	M16	M12	1213K	22213EK	H213	H213.204	FRM 120x10	2	SSN 513
							2213K		H313	H313.204	FRM 120x12	1	
15	20	120	182	38	M16	M12	1215K	22215EK	H215	H215.208	FRM 130x8	2	SSN 515
							2215K		H315	H315.208	FRM 130x10	1	
18	23	125	184	40	M20	M16	1216K	22216EK	H216	H216.212	FRM 140x8.5	2	SSN 516
							2216K		H316	H316.212	FRM 140x10	1	
18	23	130	184	42	M20	M16	1217K	22217EK	H217	H217.300	FRM 150x9		SSN 517
							2217K		H317	H317.300	FRM 150x10		
18	23	150	204	50	M20	M16	1218K	22218EK	H218	H218.304	FRM 160x16.2	2	SSN 518
							2218K		H318	H318.304	FRM 160x11.2	2	
18	23	165	224	54	M24	M16	2220K	22220EK	H2318	H2318.304	FRM 160x10	1	SSN 520
							2220K		H320	H320.308	FRM 180x12.1	2	
18	23	180	232	60	M24	M16	2222K	22222EK	H2320	H2320.308	FRM 180x10	1	SSN 522
							2222K		H322	H322.400	FRM 200x13.5	2	
18	23	190	248	64	M24	M16	2224K	22224EK	H2322	H2322.400	FRM 200x10	1	SSN 524
							2224K		H3124	H3124.404	FRM 215x14	2	
22	27	195	268	64	M24	M20	2226K	22226EK	H2324	H2324.404	FRM 215x10	1	SSN 526
							2226K		H3126	H3126.408	FRM 230x13	2	
28	36	210	286	70	M30	M24	2228K	22228EK	H2326	H2326.408	FRM 230x10	1	SSN 528
							2228K		H3128	H3128.500	FRM 250x15	2	
28	36	225	304	76	M30	M24	2230K	22230EK	H2328	H2328.500	FRM 250x10	1	SSN 530
							2230K		H3130	H3130.504	FRM 270x16.5	2	
28	36	240	320	80	M30	M24	2232K	22232EK	H2330	H2330.504	FRM 270x10	1	SSN 532
							2232K		H3132	H3132.508	FRM 290x17	2	
							2232ESK		H2332	H2332.508	FRM 290x10	1	

SD Housing Design

Series 3100



SD3100 Series Bearing Housing

Split plummer block housings of Series SD31

The SD bearing housing were designed as a housing which can be used for heavy-duty applications in Mining and Construction, Paper Industry, Steel Industry and light Industry.

The main advantages of the SD housing are:

- ❖ Reinforced base for heavy loads
- ❖ A standard housing bore tolerance of H7
- ❖ Housing Cap bolts of Grade 8.8
- ❖ A selection of sealing arrangements
- ❖ Various inlet points for lubrication
- ❖ The housing body painted in durable Blue-Grey enamel for Grey cast iron and Orange enamel for Spheroidal graphite cast iron

The standard range of SD housings are made from Grey cast iron (abbreviation CI) and can be supplied in Spheroidal graphite cast iron (abbreviation SG) when requested.

The standard range of SD housings are supplied with H7 tolerance housing bore and Grade 8.8 cap bolts. The H7 tolerance is especially important because it provides the ultimate support for the bearing, whilst still allowing the outer ring of the bearing to be axially displaced when the bearing is required to act as a floating bearing. The Grade 8.8 bolts provide the maximum support of the housing cap when subjected to high load applications.

The SD housing has the ability to accommodate the diverse range of Self-aligning ball bearings and Spherical roller bearings, when mounted on an adapter sleeve. The FAG Split Spherical roller bearing can also be easily mounted into this housing.

The SD housing has a range of shaft sizes starting from 150 to 300 mm.

The SD housing can be supplied with either a Labyrinth seal or Taconite seal. To select the appropriate sealing solution for your application: Refer to the "Sealing Selection Data Table" on page 5 and review the sealing properties and abilities for each design before selecting.

SD3100 Series Bearing Housing

Sealing Assembly Components

The sealing assemblies for the SD housings consist of individual parts. The following examples will assist in identifying the individual components within each of the seal assembly.

Example: Housing SD 3134TS.A (Closed One Side)

❖ SD Labyrinth Seal – TS 34:

- 1 x Labyrinth seal
- 1 x O-Ring Cord – OR20

❖ SD Cover Plate – TSA 34

- 1 x Cast Cover

Example: Housing SD 3134TAC.A (Closed One Side)

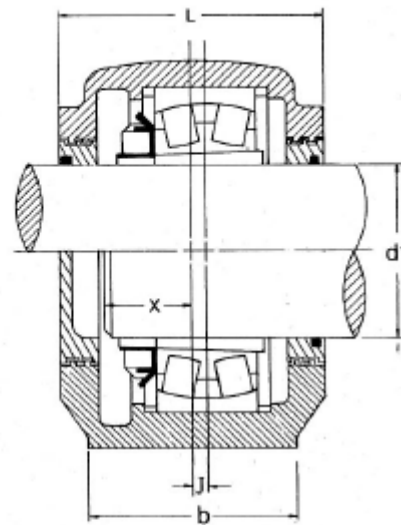
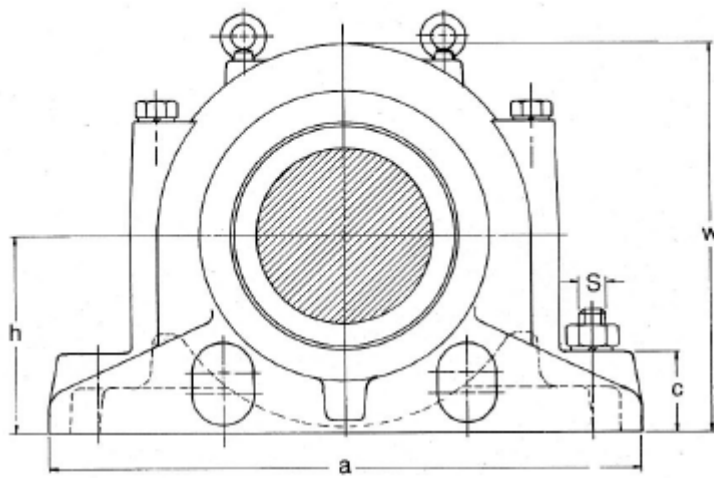
❖ SD Taconite Seal – TAC 34 KIT:

- 1 x Seal Carrier – TAC 34
- 1 x Labyrinth Seal – TS 34
- 1 x O-Ring – OR 34
- 1 x Oil Seal - OSM 34

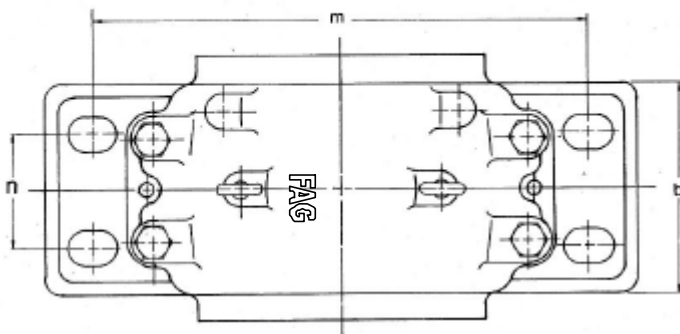
❖ SD Cover Plate – EP 34

- 1 x Cover Plate

SD3100 Series Bearing Housing

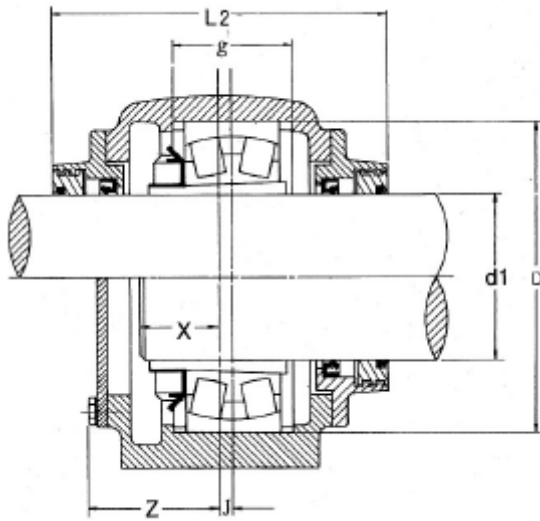


Labyrinth seal - TS

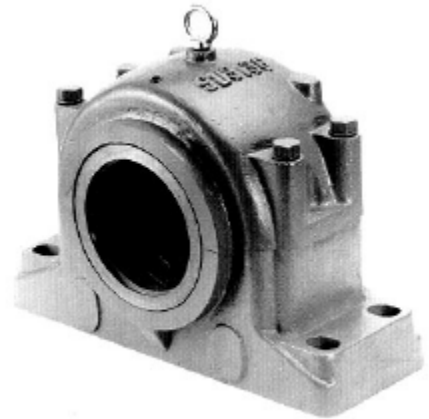


HOUSING NUMBER	SHAFT DIA.		D	a	b	c	g H12	h h12	L +/- 0.5	L2	w	m	n
	mm	Inches											
SD 3134	150	6	280	510	180	70	108	170	230	308	335	430	100
SD 3136	160	6 1/2	300	530	190	75	116	180	240	318	355	450	110
SD 3138	170	6 3/4	320	560	210	80	124	190	260	336	375	480	120
SD 3140	180	7	340	610	230	85	132	210	280	356	410	510	130
SD 3144	200		370	640	240	90	140	220	290	368	435	540	140
SD 3148	220		400	700	260	95	148	240	310	388	475	600	150
SD 3152	240		440	770	280	100	164	260	320	400	515	650	160
SD 3156	260		460	790	280	105	166	280	320	400	550	670	160
SD 3160	280		500	830	310	110	180	300	350	426	590	710	190
SD 3164	300		540	880	330	115	196	320	370	448	630	750	200

SD3100 Series Bearing Housing



Taconite seal - TAC



J	X Ref.	Z	S BOLT	Wt Kg	BEARING NUMBER	ADAPTER SLEEVE METRIC	LOCATING RING		HOUSING NUMBER
							NUMBER	QTY	
14	65	120	M24	70	23134BK	H3134	FRM 280x10	2	SD 3134
15	68	130	M24	72	23136BK	H3136	FRM 300x10	2	SD 3136
10	80	140	M24	88	23138BK	H3138	FRM 320x10	2	SD 3138
10	82	150	M30	122	23140BK	H3140	FRM340x10	2	SD 3140
12	90	155	M30	136	23144BK	H3144	FRM 370x10	2	SD 3144
12	100	160	M30	190	23148BK	H3148	FRM 400x10	2	SD 3148
13	105	170	M36	238	23152BK	H3152	FRM 440x10	2	SD 3152
16	105	170	M36	252	23156BK	H3156	FRM 460x10	2	SD 3156
22	110	190	M36	290	23160BK	H3160	FRM 500x10	2	SD 3160
23	120	200	M36	340	23164BK	H3164	FRM 540x10	2	SD 3164

Technical Information

Housing Specifications

Housing Materials

Materials	Tensile Strength kg/mm ² (Mpa)	Yield Point kg/mm ² (Mpa)	Elongation %	Equivalent Standards		
				JIS	ASTM	AS
Cast Iron	20 (240)			G5501 FC200	A48 Gr.35	1830 Gr.T-200
Ductile Iron (SG)	42 (450)	25 (310)	12	G5502 FCD45	A536 Gr.65-45-12	1831 Gr. 500-320.7

Tolerances

Casting Tolerances	Length	Tolerances
	1 mm – 100 mm	+/- 1.5 mm
	100 mm – 200 mm	+/- 2.0 mm
	200 mm – 400 mm	+/- 3.0 mm
	400 mm – 800 mm	+/- 4.0 mm
	800 mm – 1600 mm	+/- 5.0 mm

Machining Tolerances

Housing Bore Tolerances (mm)		
Bore Diameter	H7	H8
50 mm – 80 mm	+30 / -0	+46 / -0
80 mm – 120 mm	+35 / -0	+54 / -0
120 mm – 180 mm	+40 / -0	+63 / -0
180 mm – 250 mm	+46 / -0	+72 / -0
250 mm – 315 mm	+52 / -0	+81 / -0
315 mm – 400 mm	+57 / -0	+89 / -0
400 mm – 500 mm	+63 / -0	+97 -0
500 mm – 620 mm	+69 / -0	+104 / -0

Housing Specifications

Machining Tolerances (Continued)

General Tolerances (mm)					
Diameter	js11	h12	h13	H12	H13
18 mm – 30 mm	+65 / -65	+0 / -210	+0 / -330	+210 / -0	+330 / -0
30 mm – 50 mm	+80 / -80	+0 / -250	+0 / -390	+250 / -0	+390 / -0
50 mm – 80 mm	+95 / -95	+0 / -300	+0 / -460	+300 / -0	+460 / -0
80 mm – 120 mm	+110 / -110	+0 / -350	+0 / -540	+350 / -0	+540 / -0
120 mm – 180 mm	+125 / -125	+0 / -400	+0 / -630	+400 / -0	+630 / -0
180 mm – 250 mm	+145 / -145	+0 / -460	+0 / -720	+460 / -0	+720 / -0
250 mm – 315 mm	+160 / -160	+0 / -520	+0 / -810	+520 / -0	+810 / -0
315 mm – 400 mm	+180 / -180	+0 / -570	+0 / -890	+570 / -0	+890 / -0

Accessories

Housing Accessories			
Component	Part Number	Housing Design	Material
Hexagon Bolt	Metric	All	Grade 8.8
Locating Ring	FR or FRM	All	Aluminum or Steel
SC Oil Seal	O.S.M (OSE imperial)	All	NBR
O-Ring Cord	OR	All	NBR
TA Seal	TA500 / TA600	SNG	NBR & Steel
V-ring Seal	V	SNG	NBR
Double Lip Seal Kit	TSNG500 / 600	SNG	NBR
Labyrinth Seal	TSU	SNG	Cast Iron
Taconite Carrier	TAU	SNG	Cast Iron
End Cover only	A500A /600A	SNG	NBR & Steel
Labyrinth Seal	TS (TSE Imperial)	SSN & SD	Cast Iron
Taconite Carrier	TAC (TACE Imperial)	SSN & SD	Cast Iron
End Plate	TAC HOUSING - EP	SSN & SD	Steel
Cast End Cover	TS HOUSING – EC	SSN	Cast Iron
Cast End Cover	TS HOUSING - TSA	SD	Cast Iron
Eye Bolt	M	SD	Steel

Notes:

Distributed by



FAG AUSTRALIA PTY LTD

4 Aquatic Drive Frenchs Forest NSW 2086

P O Box 234 Forestville NSW 2087

Tel: (02) 8977 1000 Fax: (02) 9452 4242

FAG NEW ZEALAND

6 Te Apunga Place Mt Wellington Auckland

Private Bag 94304 Pakuranga Auckland

Tel: (09) 270 1837 Fax: (09) 270 1839

Whilst great care has been taken to ensure the correctness of the information contained in this publication no liability can be accepted for any errors or omissions. We reserve the right to make changes in the interest of technical progress.

Copyright 2001 - FAG Australia Pty Ltd.